

LEISTUNGSTRÄGER

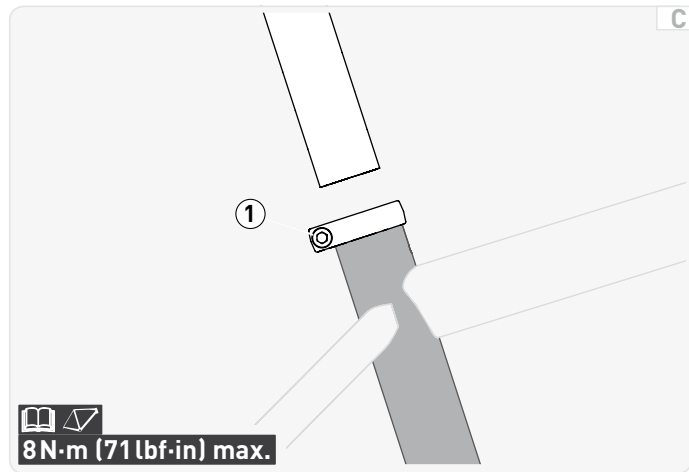
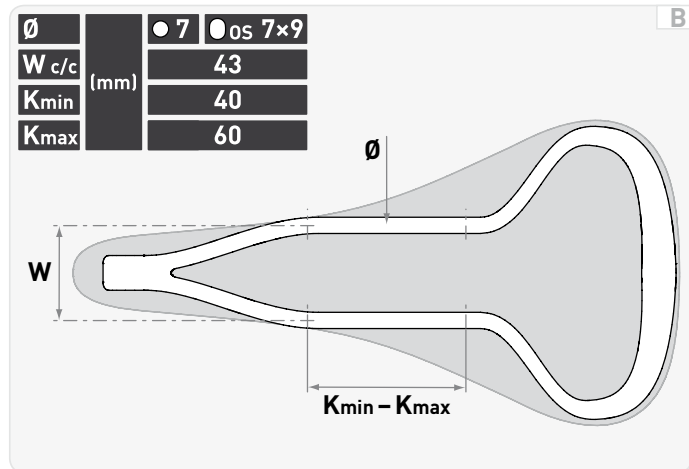
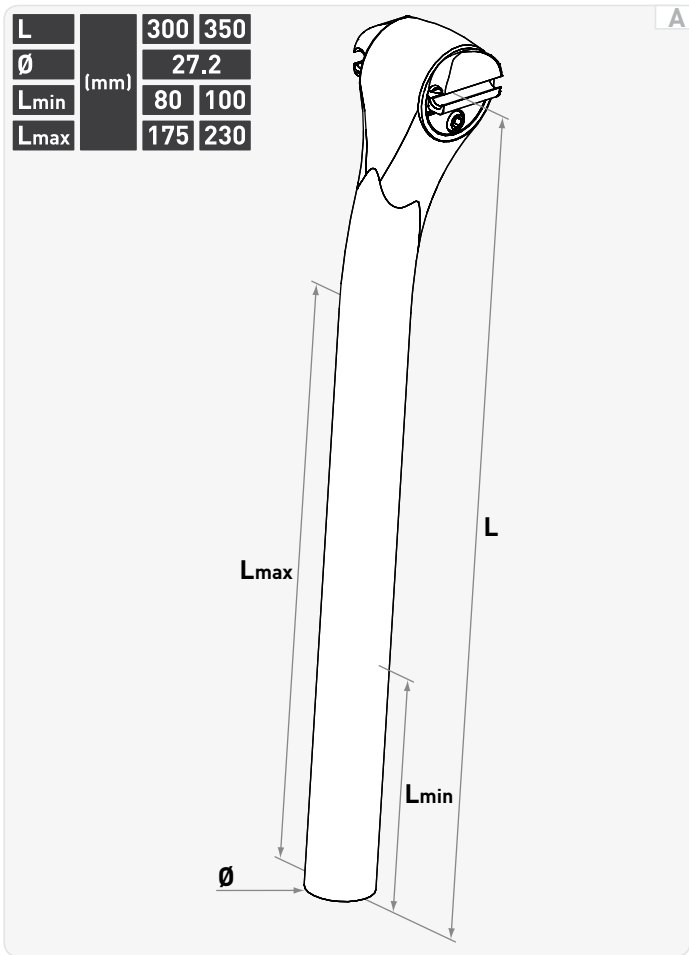


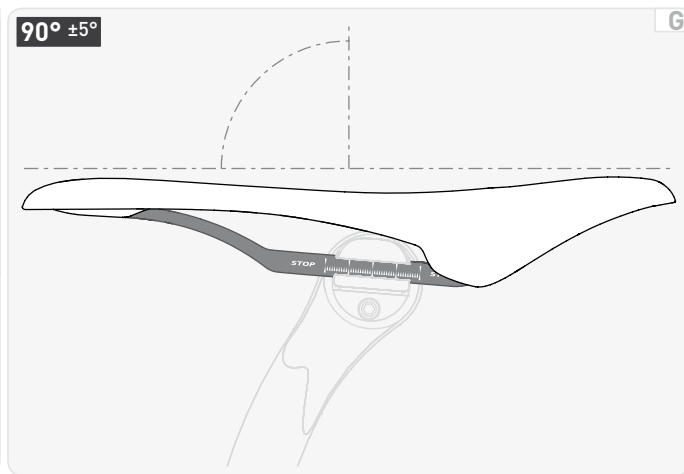
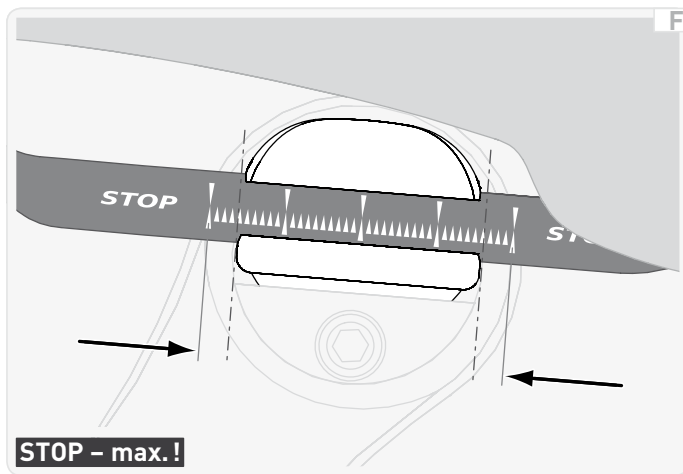
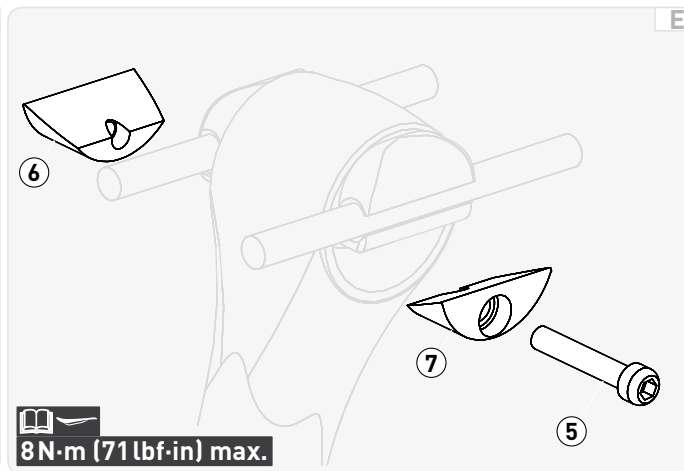
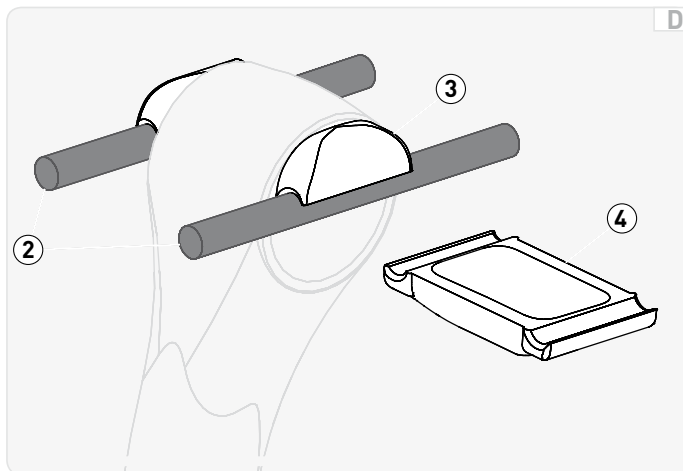
OWNER'S MANUAL



402835 2017-08

DIAGRAMS





Preface

Congratulations and thank you – you have selected a Lightweight seat post. Designed in Germany.

This manual is an integral component of your Lightweight product and it provides you with important information regarding the safe operation of your Lightweight seat post.

The safety of our customers is very important to us. Please read this manual carefully before installing your Lightweight product or riding with it for the first time.

⚠ WARNING Non-observance of the information contained in this manual could result in a fatal or serious accident.

Our information is there for a reason – our interest in your personal safety!

Read and observe all assembly, maintenance and usage instructions and please remember that even the best product can fail if it is improperly treated.

This applies for components from other manufacturers whose products are used on your bicycle. Read and observe all user instructions.

Keep this manual safe for other users of your Lightweight product. Make sure that all users read, understand and observe this manual. If you ever sell or give away your Lightweight product, this manual should be transferred to the new owner.

We hope you get a lot of enjoyment.

Your Lightweight Team

Lightweight online

Visit www.lightweight.info for information that you will find interesting.

Accessories, spare parts and clothing in the **SHOP**, frequently asked questions in the **FAQs**, interesting facts in **NEWS & PRESS** and much more.

We look forward to meeting you there!

Explanation of symbols

You will encounter the following symbols and references in this manual:

- ☞ The index finger instructs you to perform a particular action.
- ➔ The arrow indicates the consequences of your action or important prerequisites.
- ① This shows additional information or tips.

⚠ WARNING The **WARNING** message indicates a hazardous situation which, if not avoided, could result in a fatal or serious injury.

⚠ CAUTION The **CAUTION** message indicates a hazardous situation which, if not avoided, could result in minor or moderate injury.

NOTICE The **NOTICE** message warns of a risk of material damage.

- The dot indicates how to avoid a hazardous situation or a risk of material damage.

Intended use

▲ WARNING Any use other than that intended can lead to accidents resulting in fatal or serious injury.

Your Lightweight seat post is exclusively designed:

- for installation on a standard race bike frame with a precisely fitted internal diameter of the seat tube. [A]
- for installation on a standard race bike frame with a seat tube designed for clamping the seat post from the outside (e.g. clamp)*.
- for installation of a standard race bike saddle that meets the specified dimensions. [B]
- for use on a paved or asphalted surface (street/road).
- for a maximum rider weight of 120 kg (265 lb) (rider + rucksack, etc.).

* Do not install your Lightweight seat post with a segment or conical clamp!

In your own interest

Always remember that riding a bicycle involves potential danger for the rider and other road users, as well as for the bicycle and its components.

Even if protective equipment and safety devices are used, accidents resulting in death or serious injury can still occur.

Furthermore, improperly performed assembly and maintenance work could also result in a loss or your rights with regard to product liability and service!

Always ensure your bicycle is maintained in a flawless condition. Care and maintenance will prolong the service life of your bicycle and its components and improve your personal safety!

If you suspect that your bicycle is defective or is not functioning properly, stop using it and contact a specialist workshop for bicycles!

You should also rely on your common sense and avoid any unreasonable behaviour!

Fundamental safety precautions

▲ WARNING Risk of accident through damaged seat post.

- Do not overestimate your technical ability. All assembly and maintenance work should be performed by a specialist workshop for bicycles. This is the only way to ensure that work is conducted in a professional manner.
- Never make unauthorised modifications to your seat post (e.g. drilling holes, grinding, filing, painting etc.).
- Always maintain all specified min./max. values.
- Use a high-quality saddle exclusively.
- Always use a torque wrench designed for a specified tightening torque.
- Before every ride, make sure that your seat post and saddle are correctly and tightly installed.
- Check your seat post for damage before every ride (dents, scratches, cracks, large areas of abrasion etc.). Send us your seat post for inspection before using it again if there is visible damage or if you have any doubts about its condition.
- Never continue using your bicycle after a serious crash. If such a case occurs, send your seat post to us for inspection even if no external damage is visible. In your own interest you should deal in the same way with all components on your bicycle that are produced by other manufacturers.
- Do not use your seat post at ambient temperatures below -10 °C (14 °F) or above 45 °C (113 °F).
- Protect your seat post from lateral pressure. This is particularly important during transport.
- Never fasten your bicycle to car-roof carrier or elsewhere by the seat post.

- Do not store your seat post at an ambient temperature below -15 °C (5 °F) or above 55 °C (131 °F).

⚠ WARNING Risk of accident caused by erratic riding or improper equipment.

- Always observe the traffic regulations of the country where you are riding your bicycle.
- When riding your bicycle always wear a high quality cycling helmet (e.g. ANSI certified), that is in excellent condition and close-fitting but not restrictive.
- Only ride your bicycle if you are in good physical condition and your bicycle and all its components are working perfectly.

NOTICE Never use aggressive solvents (e.g. paint thinner, nitro etc.) as they could damage the surface of your Lightweight product.

- It is best to use water and standard paintwork cleaning products for cleaning.
- Isopropanol, spirits or petrol may be used carefully; however, you should avoid excessive wiping and long exposure times and also any contact with the ornamentation.

Installing the seat post

⚠ WARNING Risk of accident if the seat post slips or suddenly breaks due to incorrect installation.

- Observe all the instructions and information provided in the user instructions from the manufacturer of your race bike frame.
 - Do not exceed a specified tightening torque for clamping the seat post.
 - Make sure that the seat tube of your race bike frame:
 - has no sharp edges or burrs.
 - has the precisely fitted internal diameter. [A]
 - Make sure that the tube of your seat post and the inside of the seat tube are free from grease, clean and dry.
 - Exclusively use carbon fibre assembly compound.
 - Do not exceed the minimum insertion depth.
- ① The minimum insertion depth **L_{min}** [A] of your seat post is reached when the bottom scale mark (1 —) is immediately above the top edge of the seat post clamp. However, this is only applicable if your seat post has not been shortened!
- ☞ Apply a little carbon fibre assembly compound on the tube of your seat post and inside the seat tube.
 - ☞ Carefully guide it into the seat post.
 - Your seat post can be inserted tightly without clamping it.
 - ☞ Align your seat post centrally straight.
 - ☞ Tighten the clamping screw (1) of the seat post clamp until your seat post can just no longer be twisted by force.

Installing the saddle

⚠ WARNING Risk of accident caused by the saddle rail suddenly breaking or failure of the seat clamp due to previous damage caused during installation and adjustment work.

- Observe all the instructions and information provided in the user instructions from the manufacturer of your saddle.
 - Do not exceed an approved tightening torque for the seat clamp.
 - Make sure that the frame of your saddle meets the specified dimensions. [B]
 - Always adjust the saddle height and central position with the seat post clamp released.
 - Always adjust saddle tilt and horizontal position with the seat clamp released.
 - Make sure that the area of contact for the seat clamp of your seat post is located within the STOP marks on the saddle rail. [F]
- ① Use the top shell of the seat clamp with the \emptyset **OVERSIZE** label if your saddle rail is \emptyset 7×9 mm in size.
- ☞ Position your saddle rail [2] over the opening in your seat post.
 - ☞ Push the upper shell [3] of the seat clamp over your saddle rail into the opening in your seat post.
 - ☞ Push the lower shell [4] of the seat clamp under your saddle rail into the opening in your seat post.
 - ☞ **Lightly** grease the clamping screw [5] and the contact surfaces of the clamping cones [6] [7] to the bottom shell.
 - ☞ Insert the clamping screw through the left clamping cone [7].
 - ☞ Push the clamping cones from left and right under the lower shell of the seat clamp into the opening in your seat post.
 - ☞ Initially only tighten the clamping screw lightly.
 - ➔ The saddle can be easily tilted and moved.

☞ Initially move your saddle to the basic position.

① In the correct basic position, the surface of your saddle will be horizontal and the seat clamp of your seat post will be located centrally between the STOP marks. [G]

Make the precise setting of your individual saddle position in small steps until you are satisfied with the result. Ride your bicycle over a good distance to try out the setting between the individual adjustment steps.

Consult an expert for advice concerning your individual saddle position if necessary.

- ☞ Tighten the clamping screw [5] of the seat clamp with a tightening torque of **max. 8 N·m (71 lbf-in)**.
- ☞ Make sure that your saddle cannot be tilted or moved.

Lightweight

CARBONSPORTS GMBH

Otto-Lilienthal-Straße 15
88046 Friedrichshafen
Deutschland Germany

www.lightweight.info
mail@lightweight.info

Tel: +49 7541 3889 12

Fax: +49 7541 3889 55